

# JMEKA

THE MULTI-FUNCTION MINI-DIGGER  
WITH CONTINUED 360° ROTATION

MADE IN FRANCE 



**+30**  
ACCESSORIES  
AVAILABLE



FRENCH MANUFACTURER  
SINCE 1984 

Based in Alsace, in ELSENHEIM (67390), we develop and manufacture multifunctional mini-digger and a wide range of accessories, always more efficient and practical, to meet the needs and expectations of our users.

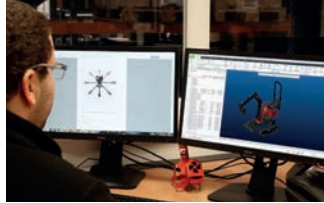
With more than 37 years of experience, and mastering the entire manufacturing process, we design and manufacture robust, reliable, safe and efficient machines, to ensure maximum productivity, comfort and safety for the user.

*All our experience at your service!*



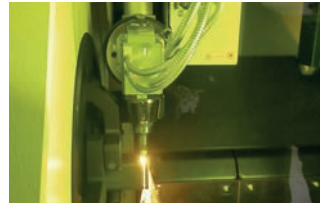
**Conception**

*In the design office*



**Laser cutting of parts**

*With 2 modern laser cutting machine*



**Welding** *Manual and robotic*



**Paint** *Powder coating process*



**Assembly** *With full verification process*

**KNOWLEDGE**

**INDUSTRY**

Laser cutting

**EXPERIENCE**

**EUROPEAN**

**WELDING**

**KNOW HOW**

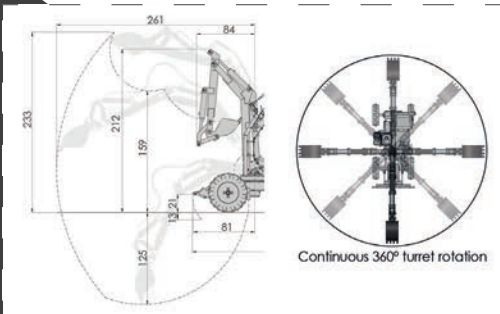
**CONCEPTION**

Powder coating paint line

**DEVELOPMENT**

# SPIDER / DUO / QUATTRO / CROSS

Find the right mini-digger for your needs



- + Compact -
- Economical -
- 900 kg breakout force -
- 1.25 m excavating depth -
- Bucket 26 cm with teeth -
- Continuous 360° turret rotation -

# SUPER-QUATTRO PRO / SUPER-CROSS PRO

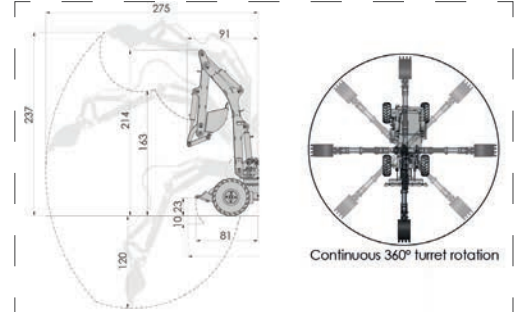
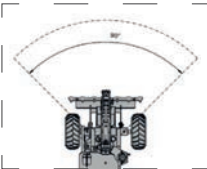
+ More power and more performance for more possibilities !



# MODELS SUPER AS STANDARD

Motor 13HP **HONDA** -  
Triple pump -

- +
  - Electric start **procures more comfort**
  - Triple pump **delivers more speed**
  - Lateral control **gives an easiest control**
  - 1,2 ton breakout force **contribute to more power**
  - Continuous 360° turret rotation
  - + arm orientation  $\pm 45^\circ$  **provides more accuracy**

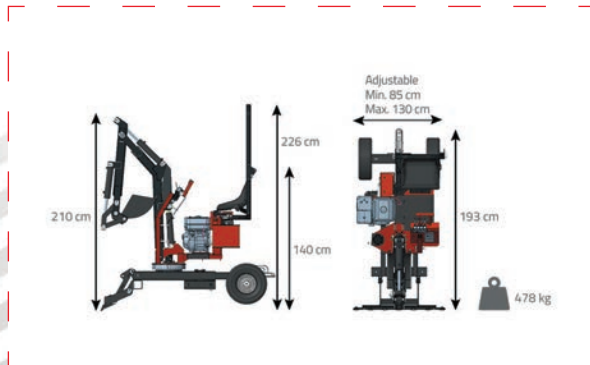


# SPIDER



2 wheels and stabiliser blade

Our first mini-digger, easily movable and robust.

*Your friend for a punctual work.*



- + Smaller footprint
- + Weight
- + Price

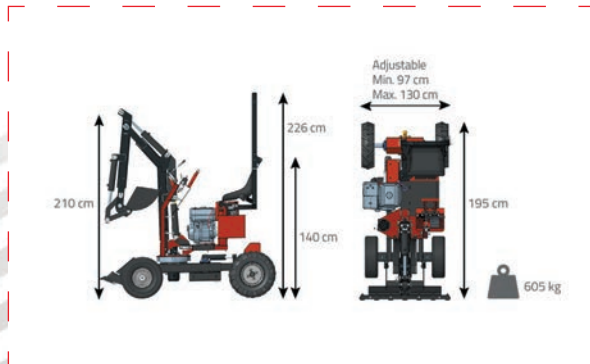
	Mini-digger on on 2 wheels and stabiliser blade	<b>SPIDER</b> MPL210100
Turret rotation	360° continued	
Power	Petrol 7HP	
Motor		
Starting type	Manual	
Hydraulic	Single pump	
Weight	478 kg	
Control lever	4 control levers	
Maximum rotation speed of turret	9 rpm	
Maximum moving speed	Move by using the bucket as a cane	
Breakout force	900 kg	
Excavating depth	125 cm	
Minimal overall for transport and storage (LxWxH)	193 x 85 x 210 cm	
As standard	Telescopic drawbar - Bucket 26 cm with teeth	

# DUO

2-wheel drive


The mini-digger on 2 driving wheels, allowing an autonomous and fast movement, while preserving the grounds.

*Ideal for garden work.*



- + Handling
- + Speed of movement



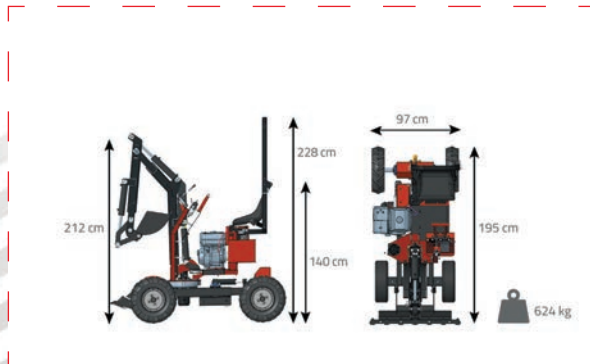
	Mini-digger with 2-wheel drive	<b>DUO</b> MPL230100
Turret rotation		360° continued
Power		Petrol 9HP
Motor		<b>KOHLER</b>
Starting type		Electric and manual
Hydraulic		Single pump
Weight		605 kg
Steering		Angle : right 30° / left 30° - Radius 3 meters
Control lever		Cross control lever
Maximum rotation speed of turret		9 rpm
Maximum moving speed		3 km / h
Breakout force		900 kg
Excavating depth		125 cm
Tractive force		270 kg
Minimal overall for transport and storage (LxWxH)		195 x 97 x 210 cm
As standard		- Tow ball for trailer ( max. 500 kg ) - Bucket 26 cm with teeth

# QUATTRO

4-wheel drive

The 4-wheel drive min-digger that allows fast and safe movement, with great grip on all types of ground.

*Your multi use mini-digger.*



- + Handling
- + Speed of movement

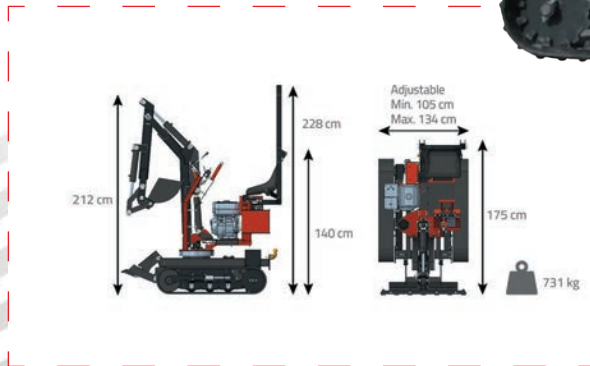
	Mini-digger with 4-wheel drive	<b>QUATTRO</b> MPL230110	<b>QUATTRO PRO</b> MPL230111A+
Turret rotation		360° continued	360° continued
Power		Petrol 9HP	Petrol 9HP
Motor		<b>KOHLER</b>	<b>HONDA</b>
Starting type		Electric and manual	Electric and manual
Hydraulic		Single pump	Double pump + Additional hydraulic function
Weight		614 kg	624 kg
Steering		Angle : right 30° / left 30° - Radius 3 meters	Angle : right 30° / left 30° - Radius 3 meters
Control lever		Cross control lever	Cross control lever
Maximum rotation speed of turret		9 rpm	9 rpm
Maximum moving speed		3 km / h	5.5 km / h
Breakout force		900 kg	900 kg
Excavating depth		125 cm	125 cm
Tractive force		270 kg	270 kg
Minimal overall for transport and storage (LxWxH)		195 x 97 x 212 cm	195 x 97 x 212 cm
As standard		- Tow ball for trailer ( max. 500 kg ) - Bucket 26 cm with teeth	- Tow ball for trailer ( max. 500 kg ) - Bucket 26 cm with teeth - Additional hydraulic function : Some accessories can be adapted hydraulically ( See pages 18 - 19 )

# CROSS


Crawler drive

The mini-digger on tracks ensures stability and easy access to the various work areas.

*To get off the beaten track.*



- + Crossing
- + Stability

	Mini-digger with crawler drive	<b>CROSS</b> MPL250100A+	<b>CROSS PRO</b> MPL250101A+
Turret rotation		360° continued	360° continued
Power		Petrol 9HP	Petrol 9HP
Motor		<b>KOHLER</b>	<b>HONDA</b>
Starting type		Electric and manual	Electric and manual
Hydraulic		Double pump + Additional hydraulic function	Double pump + Additional hydraulic function
Weight		731 kg	731 kg
Control lever		Cross control lever	Cross control lever
Maximum rotation speed of turret		9 rpm	9 rpm
Maximum moving speed		2 km / h	2 km / h
Breakout force		900 kg	900 kg
Excavating depth		125 cm	125 cm
Tractive force		510 kg	510 kg
Minimal overall for transport and storage (LxWxH)		175 x 105 x 212 cm	175 x 105 x 212 cm
As standard		- Tow ball for trailer ( max. 500 kg ) - Bucket 26 cm with teeth - Additional hydraulic function : Some accessories can be adapted hydraulically ( See pages 18 - 19 )	- Tow ball for trailer ( max. 500 kg ) - Bucket 26 cm with teeth - Additional hydraulic function : Some accessories can be adapted hydraulically ( See pages 18 - 19 )

# SUPER-QUATTRO PRO


4-wheel drive

Even more possibilities, with the powerful **SUPER-QUATTRO PRO** model, on 4-wheel drive, for easy and intuitive handling.

*Your friend in every situation.*



- + Improved speed and grip
- + Lateral controls
- + Motor 13CV **HONDA** as standard
- + 360° continuous turret rotation
- + Arm orientation  $\pm 45^\circ$

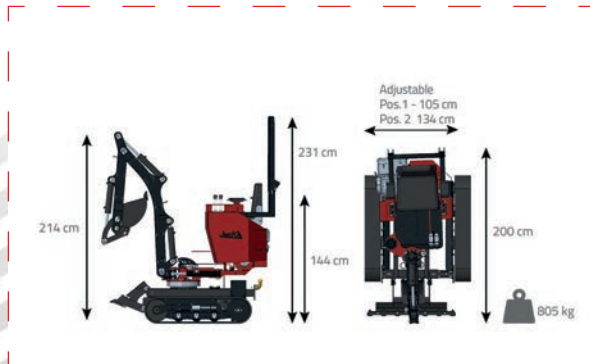
	Mini-digger with 4-wheel drive	<b><i>SUPER-QUATTRO PRO</i></b> MPL231110A+
Turret rotation		360° continued
Arm orientation		± 45°
Power		Petrol 13HP
Motor		<b>HONDA</b>
Starting type		Electric and manual
Hydraulic		Triple pump + Additional hydraulic function
Weight		710 kg
Control lever		Cross control lever, lateral
Maximum rotation speed of turret		8 rpm
Maximum moving speed		5,5 km / h
Breakout force		1,2 ton
Excavating depth		120 cm
Tractive force		420 kg
Minimal overall for transport and storage (LxWxH)		210 x 109 x 214 cm
As standard		- Tow ball for trailer ( max. 500 kg ) - Bucket of 26 cm with teeth - Additional hydraulic function : Some accessories can be adapted hydraulically ( See pages 18 - 19 )

# SUPER-CROSS PRO

Crawler drive


Achieve all your work, with this **SUPER-CROSS PRO** model, which combines performance, stability and robustness.

*No more limits for your works.*



- + Improved stability and crossing
- + Lateral controls
- + Motor 13CV **HONDA** as standard
- + 360° continuous turret rotation
- + Arm orientation  $\pm 45^\circ$



	Mini-digger with crawler drive	<b>SUPER-CROSS PRO</b> MPL251100A+
Turret rotation	360° continued	
Arm orientation	± 45°	
Power	Petrol 13HP	
Motor	<b>HONDA</b>	
Starting type	Electric and manual	
Hydraulic	Triple pump + Additional hydraulic function	
Weight	805 kg	
Control lever	Cross control lever, lateral	
Maximum rotation speed of turret	8 rpm	
Maximum moving speed	3 km / h	
Breakout force	1,2 ton	
Excavating depth	120 cm	
Tractive force	750 kg	
Minimal overall for transport and storage (LxWxH)	200 x 105 x 214 cm	
As standard	<ul style="list-style-type: none"> <li>- Tow ball for trailer ( max. 500 kg )</li> <li>- Bucket of 26 cm with teeth</li> <li>- Additional hydraulic function : Some accessories can be adapted hydraulically ( See pages 18 - 19 )</li> </ul>	

# ACCESSORIES

## TO DIG



### AS STANDARD

Bucket 26 cm with teeth  
GOD000260



Bucket 16 cm with teeth  
GOD000160A



Bucket 16 cm without teeth  
GOD000160



Stone bucket 51 cm  
GOD000510C

## TO LOAD / TO MUCK OUT



Bucket gripper  
GOD100000 ■



Reversible loading  
bucket 51 cm  
GOD000510A



Reversible clearing  
bucket 51 cm / 81 cm  
GOD000510B / GOD000810



Dipperstick 40 cm  
RAL100000

## TO HANDLE



Gripping claw  
GRI000001



Multifunction gripper  
(Recommended counterweigh)  
GRA10001 ■



Wood grapple  
GRA10002 ■



Bale gripper  
(Recommended counterweigh)  
PIN100001 ■ ■ ■



Hay bale pitch fork  
(Recommended counterweigh)  
FOU100001 ■



Handling fork  
(Recommended counterweigh)  
FOU100000 ■



Dump bucket  
with side rail 94 cm  
BEN100000 ■



Trailer  
with mechanical tilting  
Loading weight 620 kg  
REM100001 ■

*A wide range of accessories for total flexibility, autonomy and freedom to work*

**TO RAKE / TO PLOW / TO SNATCH**



3 teeth claw  
GRI000003



Claw / Rake  
GRI000002



Snow blade skid steer  
LAM001000 ■



Vine stock extractor  
ARR100000 ■

**TO WEED / TO SWEEP**



Brush cutter  
DEB1000000 / DEB1000005  
For models  
SPIDER ■ ■



Radial weeding brush  
BAL1000001 ■ ■



Radial sweeper  
BAL100000 ■ ■



Front sweeper  
BAL1000002 ■

**TO RIP / TO DRILL / MOBILITY / STABILITY**



Ripper tooth  
DEN0000001 ■



Auger Ø 15 cm  
TAR000150 ■



4 golf wheels 2 drive / 4 drive  
TRA01030 / TRA01031 ■



Counterweight of 30 Kg /  
Counterweight of 112 Kg  
CON100000 / CON100001 ■

**DIVERSE**



Quick hitches  
+ 3 axle  
ATT1000000  
— Additional set of 1 pair of axes  
ATT1000001



Quick hitches adapter for  
bucket gripper, auger and  
wood grapple  
ATT1000002 ■



VIDEOS ON  
[WWW.JMEKA.FR](http://WWW.JMEKA.FR)

■ Not compatible with the model SPIDER

■ Requires additional hydraulic function + double or triple pump

## WARRANTY PERIOD

- **JMEKA** mini digger : 1 year

The warranty is valid from the date of « delivery » of the equipment.

## WARRANTY TERMS AND CONDITIONS

- In order to be valid, you must have the warranty sheet duly completed (*stamp of the point of sale, date of purchase - signature of the seller, serial number and year of manufacture*) accompanied by the invoice.

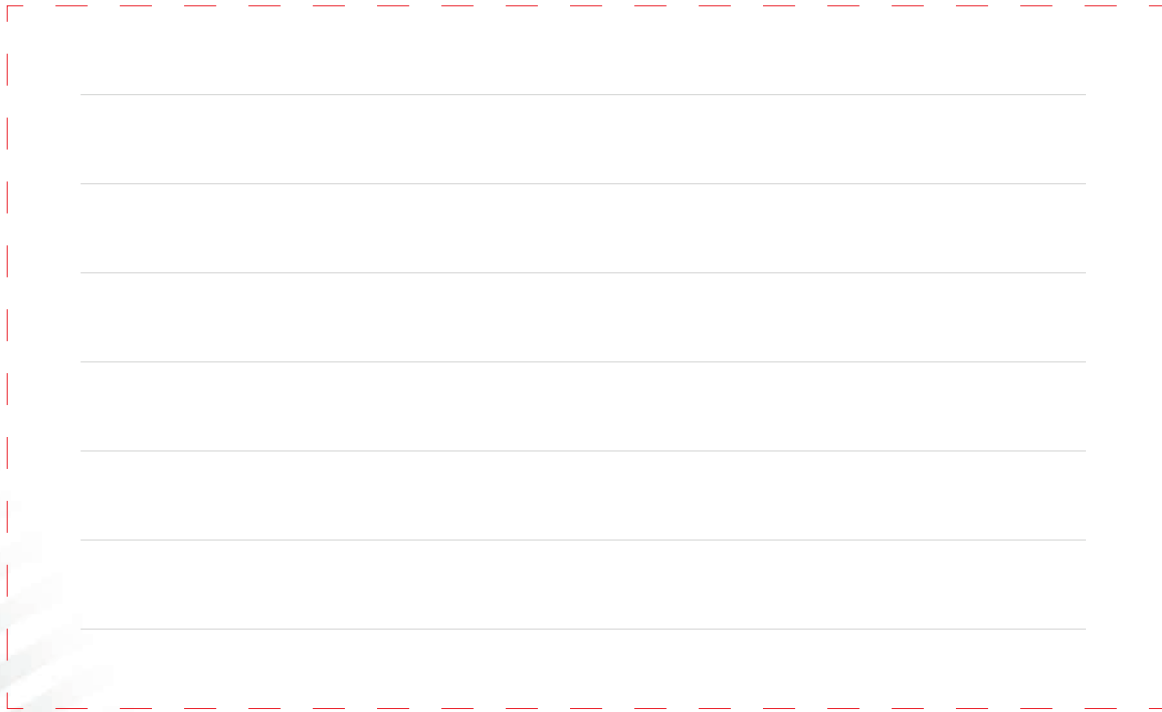
- The warranty covers only spare parts which, after verification from **JMEKA**, are defected. The spare parts are paid by **JMEKA**. Labour and transport costs are paid by the dealer. Used parts are not covered by the warranty. The warranty does not cover shipping costs.

- For the safety of the user and the warranty application, it must be to use spare parts from **JMEKA** (*contact your dealer for more information*).

The warranty is cancelled :

- If attempts have been made to repair the product with no original spare parts from **JMEKA**.
- In the event of a defect resulting from improper maintenance or use.

NOTEPAD

A large rectangular area with a dashed red border, containing seven horizontal lines for writing. The lines are evenly spaced and extend across most of the width of the notepad area.







YOUR DEALER



1, rue de l'industrie - 67390 ELSSENHEIM - FRANCE  
Tel. +33 (0)3 88 58 69 69 - Fax 03 88 58 69 70 - contact@jmeqa.fr

[WWW.JMEKA.FR](http://WWW.JMEKA.FR)

FOLLOW US



YouTube